

# ERF5001, SMA-F ~U.FL

## ERF5001

### Description

The ERF5001 is a RF-Cable suitable for RF applications. The cable has 1 SMA female connector, and 1 U.FL connector. It can be used for RF cable assemblies, and as an accessory for antenna's.



### Typical applications

- RF Cable assembly
- Antenna accessory



### Features

#### Mechanical Properties

**Connector Type:** SMA Female & U.FL

**Cable Length:** 200 mm ± 3

**Cable type:** Coaxial 1.13mm

**Operating Temperature Range:** -20°C~+75°C

**Storage Temperature Range:** -40°C~+80°C

#### Electrical Properties

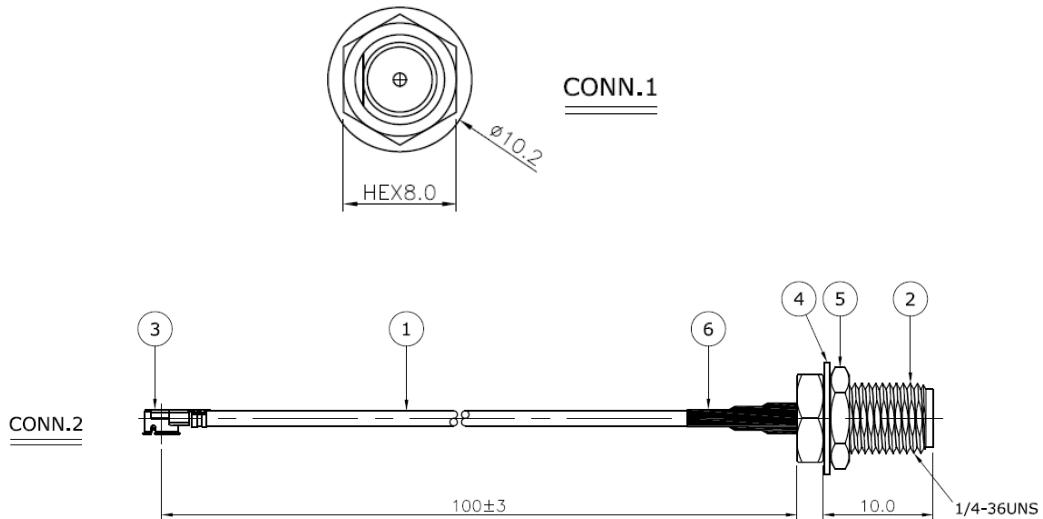
Part	Description	QTY
1	Cable 1.13 mm, Black	1
2	SMA Straight Jack	1
3	Ipex (U.FL)	1
4	Washer, Brass, Gold plating	1
5	Nut, Brass, Gold plating	1
6	Heat shrink tube, Black	1

# ERF5001, SMA-F ~U.FL

## ERF5001

### Dimensions

\*unit: mm



### Connector



SMA Male



SMA Female



RP-SMA Male



RP-SMA Female

The ERF5001 uses a SMA Female and an U.FL connector.

### Ordering information

Ordering can be done via [www.summit-electronics.com](http://www.summit-electronics.com) or via [info@summit-electronics.com](mailto:info@summit-electronics.com). Please contact us for more information. Customisation of the product is available on request.

### Technical support

For all product questions please contact us via [info@summit-electronics.com](mailto:info@summit-electronics.com)

### Document revision

Rev	Date	changes
V01.00	16-07-2023	First issue of document, EK